

One stop lifting & stevedoring solution provider



Designer

Manufacturer

2020 Version

THLE
新华起重工具

Supplier of ZPMC



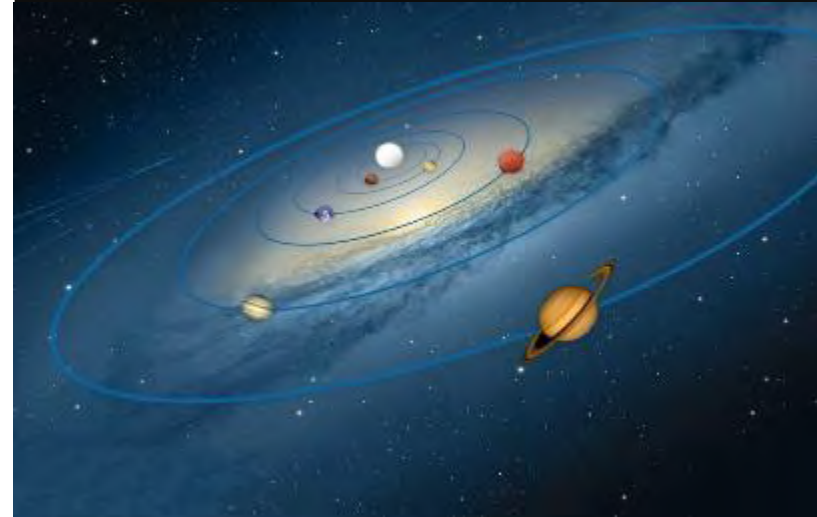
200 employees

26,000 m² workshop



Nine kinds of product

Nine planets in the solar system



Grab

Sling

Spreader

Pulley

Hopper

Rope accessory

Hook assembly

Lifting beam

THLE

Magnet Lifter

Remote control grabs



Single Hoisting

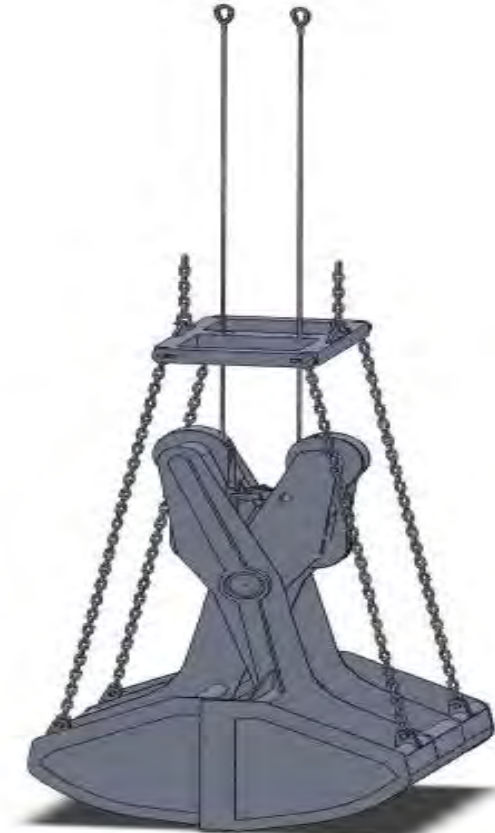
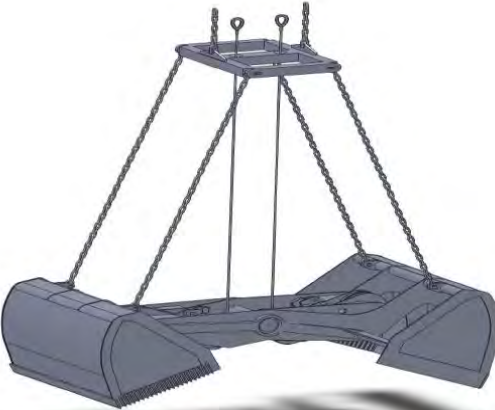
Wireless Radio Control

Lithium battery

Electric-hydraulic Grabs



Scissor Grabs



Clay/Mud/Nickel Ore Grabs



Mechanical Clamshell grabs



Salvaging grab

SWL 360 Ton



Mechanical orange peel grabs



Dredging grab



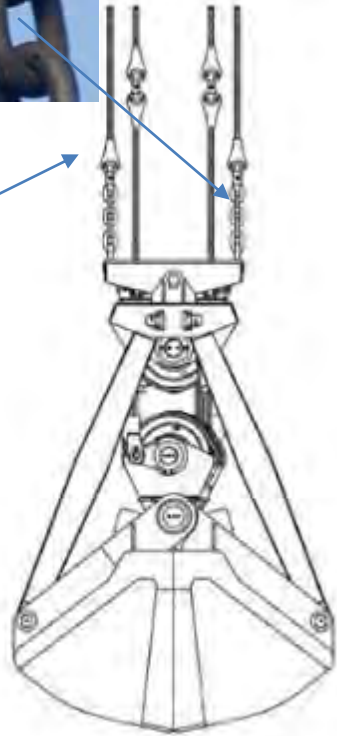
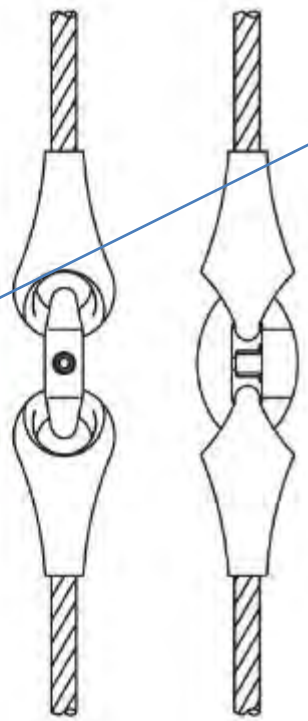
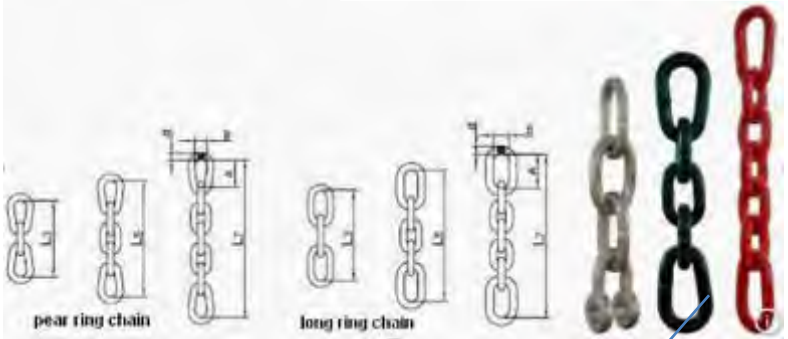
SWL 400 Ton



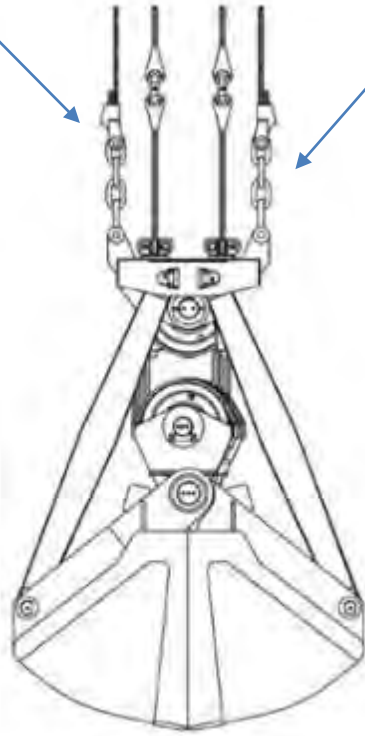
Timber Grabs



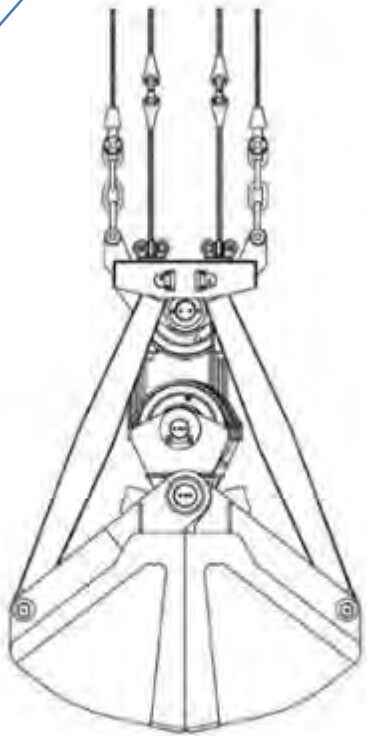
Rope accessory



A型配置
Type A Configuration

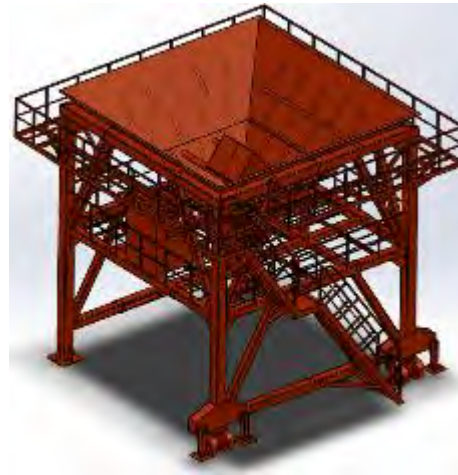


B型配置
Type B Configuration

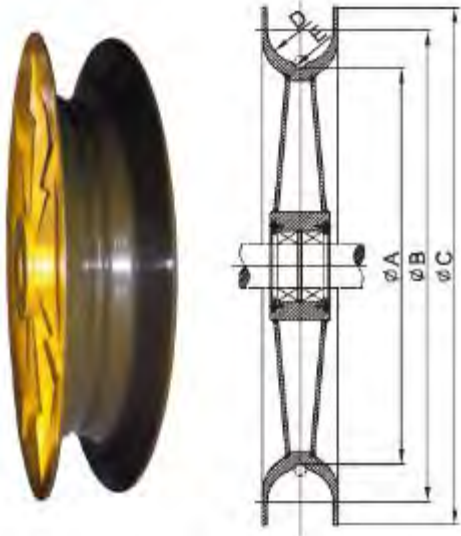


C型配置
Type C Configuration

Hopper



Pulley



STS

RTG

RMG

Ship unloader

Ship Crane

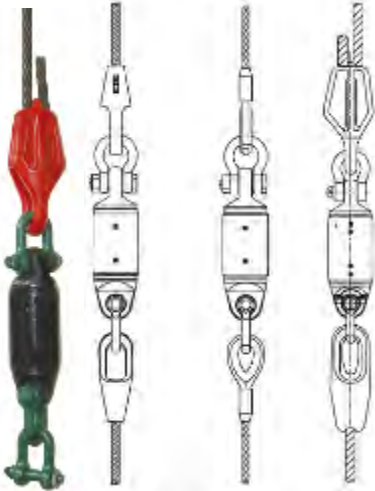
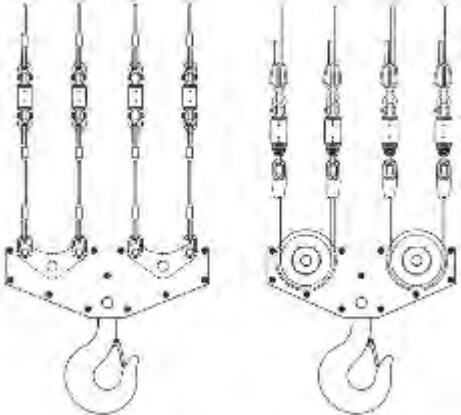
Gantry Crane

Level Luffing Crane

Mobile Harbour Crane



Sling



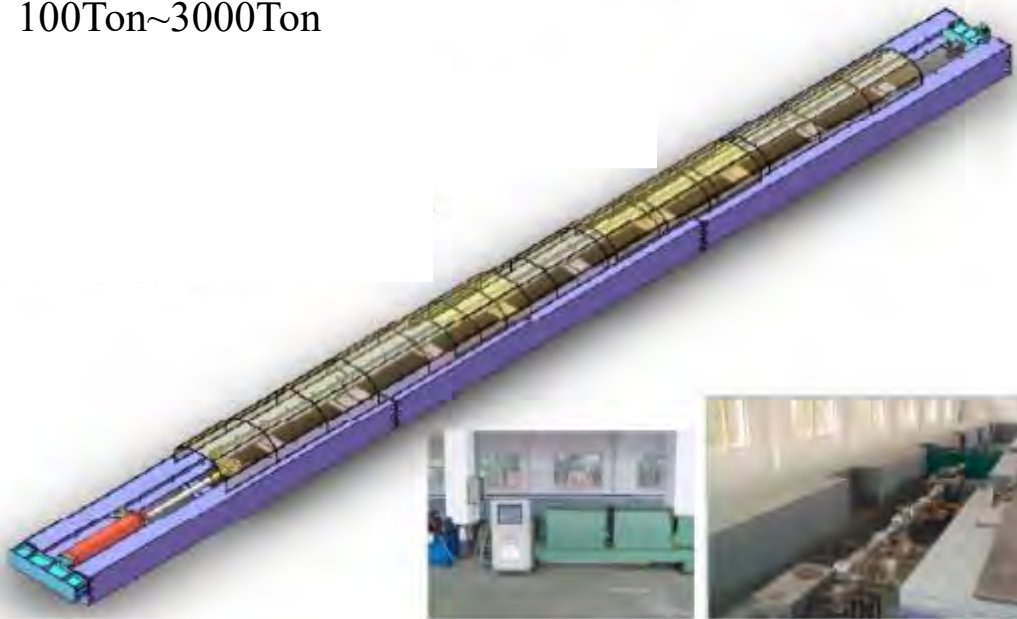
Rigings of 12000Ton ZPMC floating Crane



Sling swaging & testing equipment

Tensile Test Machine

100Ton~3000Ton



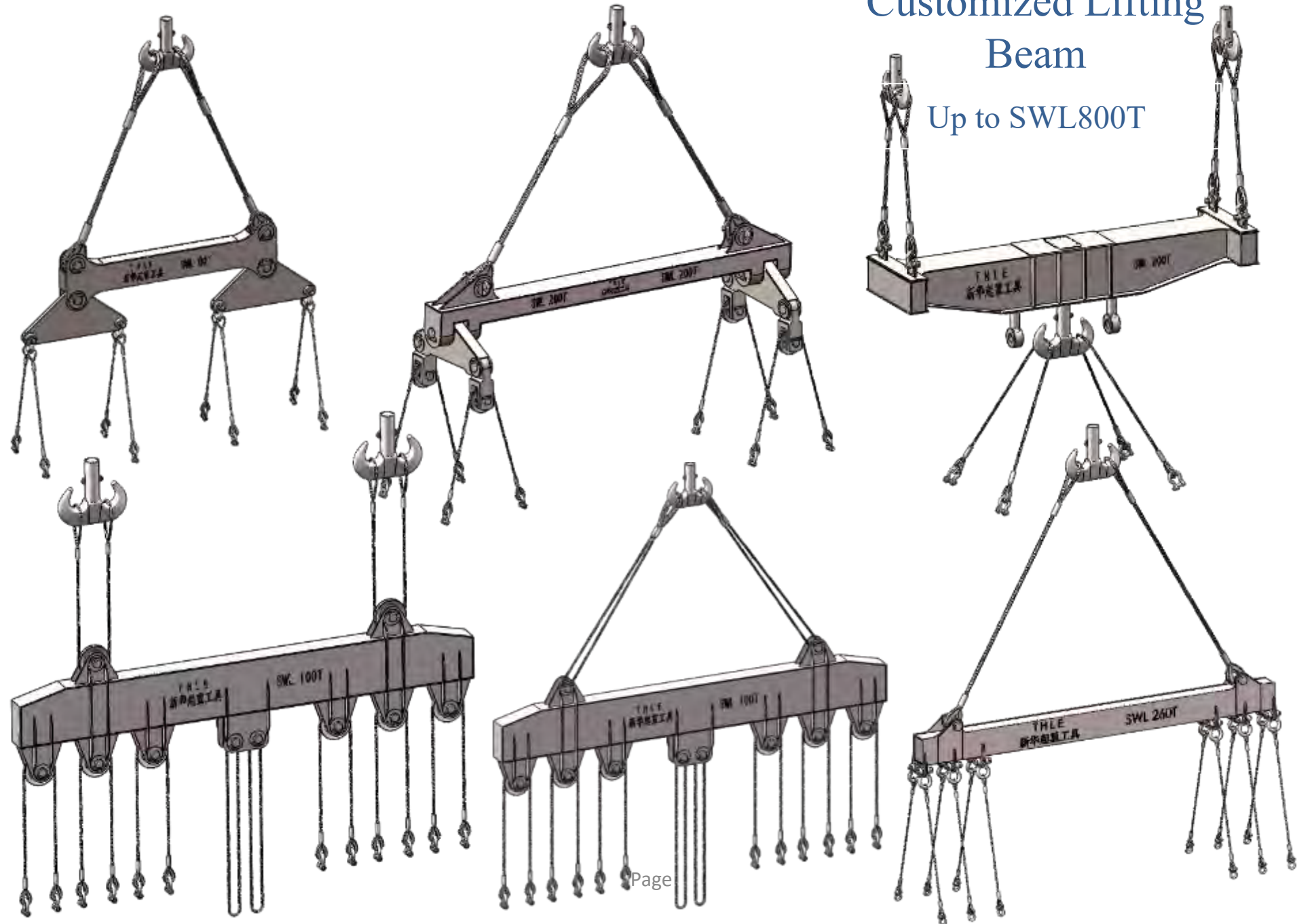
Rope Swaging Machine

- 300Ton
- 350Ton
- 600Ton
- 1000Ton
- 1500Ton
- 2000Ton
- 3000Ton



Customized Lifting Beam

Up to SWL800T



Magnet Lifter

Electric / Permanent



Heavy Hook Assembly up to SWL2500T



SWL1000Ton Hook for 3000Ton Pipe-lay Derrick Barge



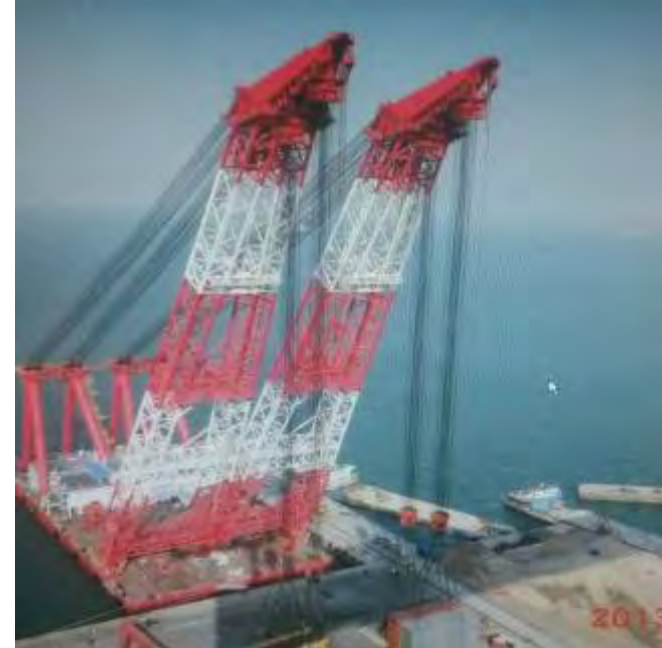
Off shore Shackle & Hook assembly



Riggings of 12000Ton ZPMC floating Crane



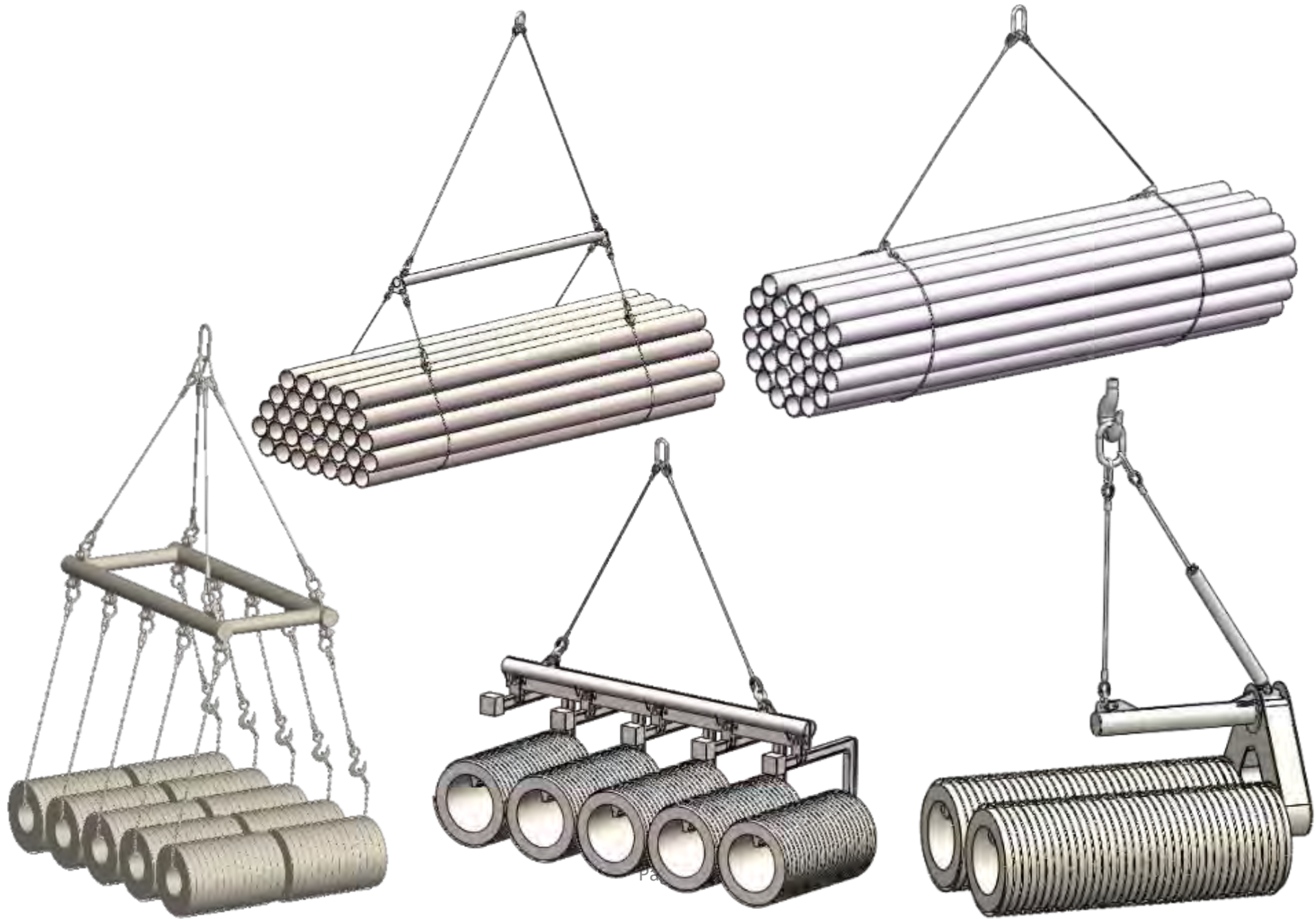
Hook assembly of 3600Ton HHMC floating Crane



Spreader



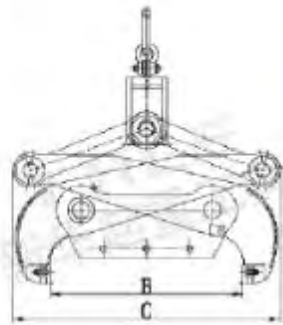
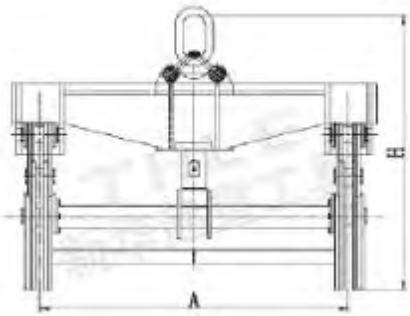
Wire & Pipes Lifting Solution



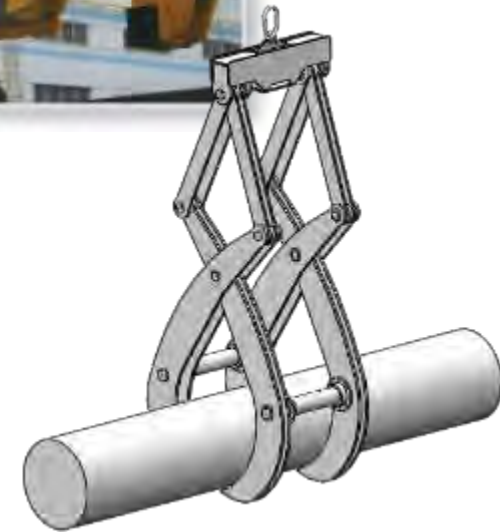
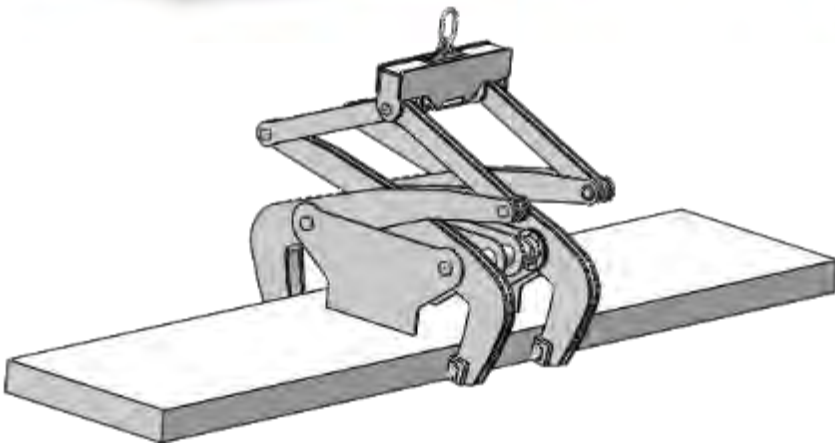
Other lifting



Billet Clamp



载荷(t) SWL	跨度(mm) Height	适用范围 Width(mm)	最大外形尺寸 (mm) Max outer Dimension		重量(t) Weight
			长 L	宽 W	
10	1200	700-1200	2040	2680	2.5
15	1200	1000-1600	2420	3370	3.3
20	2000	1600-2100	2840	3700	5.5
30	2000	1800-2300	3630	4200	9.2



Coil Clamp

电动卷钢吊具 Electric Coil Clamp



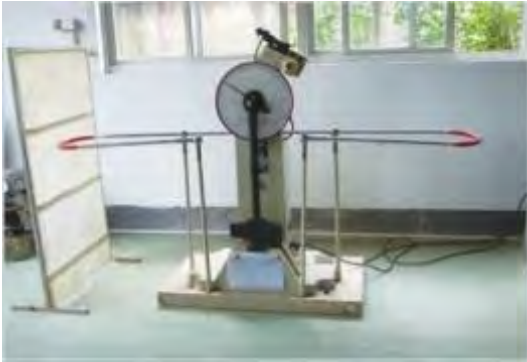
立式卷钢吊具 Vertical Coil Clamp



Our workshop



Test Center



100Ton Tensile Test

1000Ton Tensile Test





CERTIFICATE NUMBER
13-MMP5-F&PVC-972
MATERIALS: 7884;
OIL: 301692;
QSC: 11027475

POST OFFICE:
ABS MATERIALS HOUSTON

CERTIFICATE OF FORGING FACILITY AND PROCESS APPROVAL

This is to certify that a representative of ABS did, at the request of

Wuxi City Xinhua Lifting Equipment Co., Ltd.

visit its facilities as indicated in the ABS post office survey report number N02195815 dated 17 April 2015, in order to carry out a survey of the facilities and associated quality procedures. The facility is considered capable of manufacturing

Steel Forgings for Marine Applications

in accordance with the ABS Approval letter, ABS Rules, designated standards and ABS approved drawings. The approval is valid subject to adherence to relevant ABS Rules and survey requirements and annual facility re-approval by an ABS representative.

ISSUE DATE: 17 Apr 15 EXPIRATION DATE: 16 Apr 18

SIGNATURE:
Guy H. Hall
ABS MANAGER, MATERIALS, HOUSTON



TEST AND/OR
ENDORSEMENT
REVISION NUMBER
ENDORSEMENT
FURTHER APPROVAL
FOURTH APPROVAL
ENDORSEMENT

NOTE: This certificate is valid only when used in conjunction with the ABS Rules and applicable standards. It is intended to be used in conjunction with the ABS Rules, designated standards and ABS approved drawings. The approval is valid subject to adherence to relevant ABS Rules and survey requirements and annual facility re-approval by an ABS representative. The approval is valid subject to adherence to relevant ABS Rules and survey requirements and annual facility re-approval by an ABS representative.



中国船级社 CHINA CLASSIFICATION SOCIETY 工厂认可证书 CERTIFICATE OF WORKS APPROVAL

此证书证明制造厂具备按照下列标准或要求生产下列相关产品的工作能力。
This is to certify that the manufacturer stated in the certificate meets the requirements of the Worked-out table and is capable with the ability and conditions to produce the product as described in the certificate.

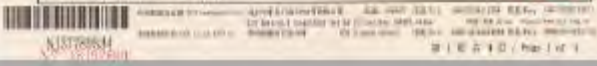
制造商/Manufacturer:
无锡新华起重工具有限公司

WUXI CITY XINHUA LIFTING EQUIPMENT CO., LTD.
无锡新华起重工具有限公司
No.228 Nohu Road, Minxin Industrial Garden New Jintan, Wuxi City

认可产品/ Product Approval:
吊钩零部件
Lifting gear

认可标准/ Approved Standard:
吊钩零件: 19097.1-1 起重吊钩吊钩组 GB/T 2031.1-2006
Chapter 5.6.7 of China Classification Society Rule for Lifting Appliances of Ships and Offshore Installations

证书有效期限/ This Certificate is valid until: 2015年12月30日
颁发机构/ Issued by: 中国船级社江苏分社
颁发日期/ Date: 2015年06月01日



中国船级社质量认证公司 DINA CLASSIFICATION SOCIETY CERTIFICATION COMPANY 质量管理体系认证证书 QUALITY MANAGEMENT SYSTEM CERTIFICATE

质量认证
无锡市新华起重工具有限公司
(注册生产地址: 江苏省无锡市新桥村便桥北路228号 邮编: 214112, 组织机构代码: 7315616-7)

This is to certify that the Quality Management System (QMS) of
WUXI CITY XINHUA LIFTING EQUIPMENT CO., LTD.
(Registered Production Add: No.228 Nohu Road, Minxin Town, Wuxi City, Jiangsu Province 214112, P.R.China. Organizational Code: 7315616-7)

建立的质量管理体系符合标准: GB/T 19001-2008 / ISO 9001:2008
has been found to conform to standard GB/T 19001-2008 / ISO 9001:2008.

本证书对下述范围的质量管理体系有效: *热轧滑轮、起重工具器具、抓斗等刚性构件的生产*。
This certificate is valid by the following scope for QMS: *PRODUCTION OF HOT-ROLLED PULLEYS, LIFTING TACKLE & RIGGING, GRAB AND THE LIKE STEEL COMPONENTS*.

本证书有效期至: 2015年3月18日。
This certificate is valid until 18 March 2015.

注: GB/T19001-2008/ISO9001:2008 认证标准在有效期满前3个月进行。
Remarks: The certificate is to GB/T19001-2008/ISO9001:2008. 2008 is valid to 15 September, 2015.

注: 见附件一。Remarks: See Attachment 1.

发证日期: 2015年3月18日
Issued on: 18 September 2015
总经理: 黄世军
General Manager Huang Shijun



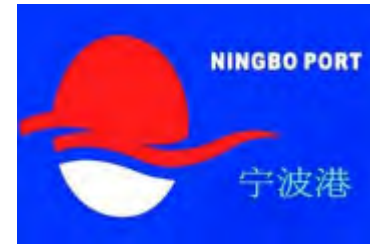
Some Customers



Pelindo II



FORMOSA STEEL



Milestone



2001
Setup factory

2002
Supplier
of ZPMC

2003
Production
625t Tie down

2004
800T Snatch
block

2005
Set 20000 M²
Workshop

2006
First unit grab

2007
CCS Approved

2010
64T Grab

2012
Nickle Ore Grab

2012
75t Grab

2014
ABS approved

2015
900t Hook
assembly

2016
ABS approved
1000t Hook

2016
Scissor grab

Transportation

- Shanghai



2.5 Hours by Car

- Wuxi



Contact us



www.thlegroup.com



Laurens. Zhang

Global Marketing Manager

Wuxi City Xinhua Lifting Equipment Co., Ltd

E-Mail: zhangxu@wxxhqz.com

Office:+86-510-88550279

Mobile Phone:+86-(0)-15806199881

Address: No.228 Xida Rd, Meicun Industry Park, New District, Wuxi City, Jiangsu Province, China