

## 12<sup>th</sup> ASEAN Ports & Shipping 2014 – Jakarta, Indonesia

# KONECRANES IN NUMBERS

**11,900**  
EMPLOYEES

**600**  
LOCATIONS WORLDWIDE

ACTIVE IN MORE THAN

**48**  
COUNTRIES

EQUIPMENT IS  
**60%**  
OF TOTAL SALES

**1,7**  
MILLION ANNUAL  
SERVICE CALLS

SERVICE IS  
**40%**  
OF TOTAL SALES

MAINTENANCE CONTRACTS

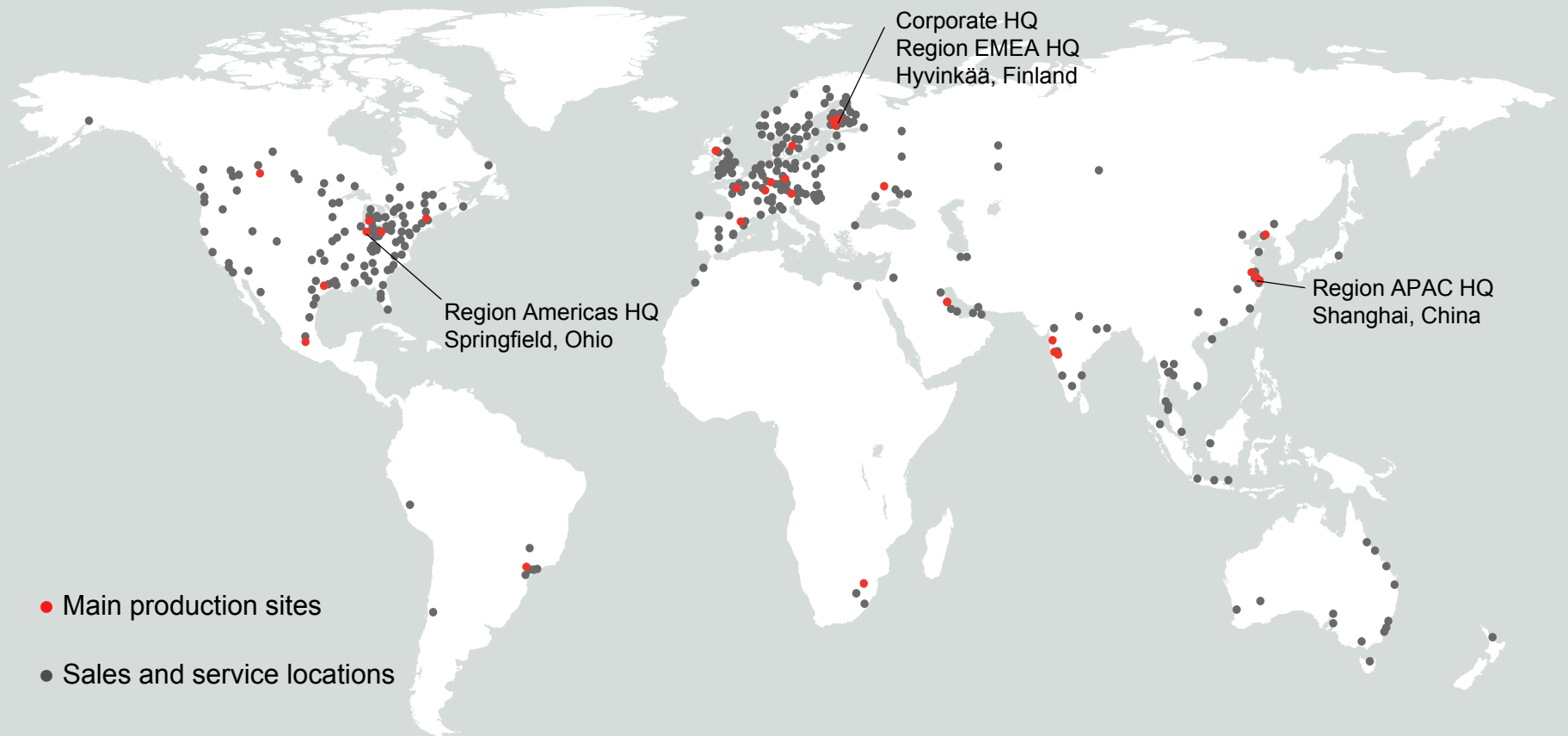
COVERING MORE THAN

**439,000**

EQUIPMENT OF DIFFERENT  
MAKES

**€2,100**  
MILLION IN SALES  
IN 2013

# OUR COMPANY ON THE MAP



# SELECTED KONECRANES CUSTOMERS

## CONTAINER HANDLING CRANES



**BOXHUNTER**  
**CHANGING THE**  
**GAME**



# WE BROUGHT DOWN THE CABIN

The RTG reinvented

- Operator in Heads-Up position
- Direct sight to truck lane





TO THE CABIN  
IN SECONDS

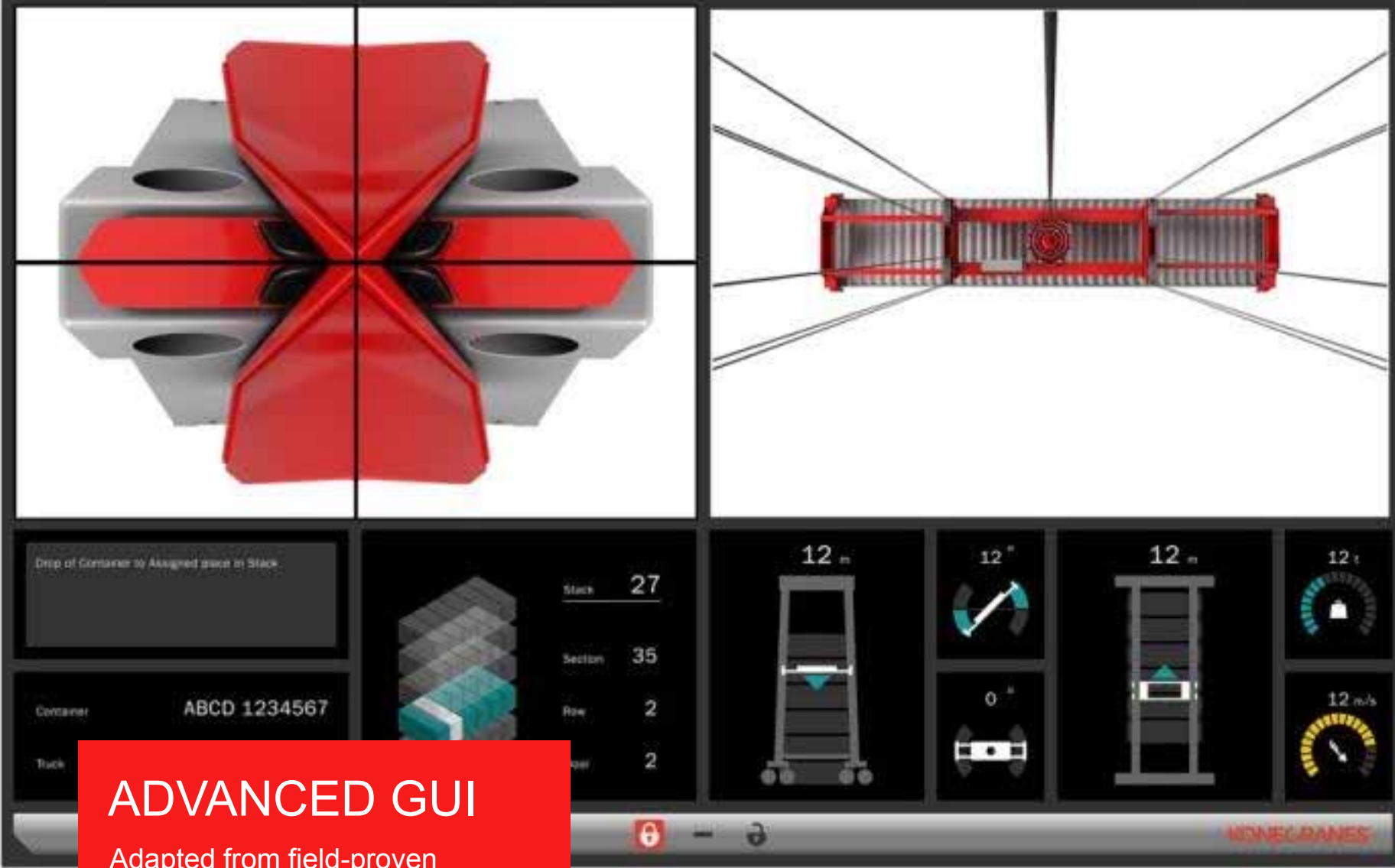


# BOXHUNTER OPERATING CONCEPT



# BOXHUNTER OPERATING CONCEPT





**ADVANCED GUI**  
 Adapted from field-proven  
 Automated Stacking Crane System

# BOXHUNTER OPERATING CONCEPT

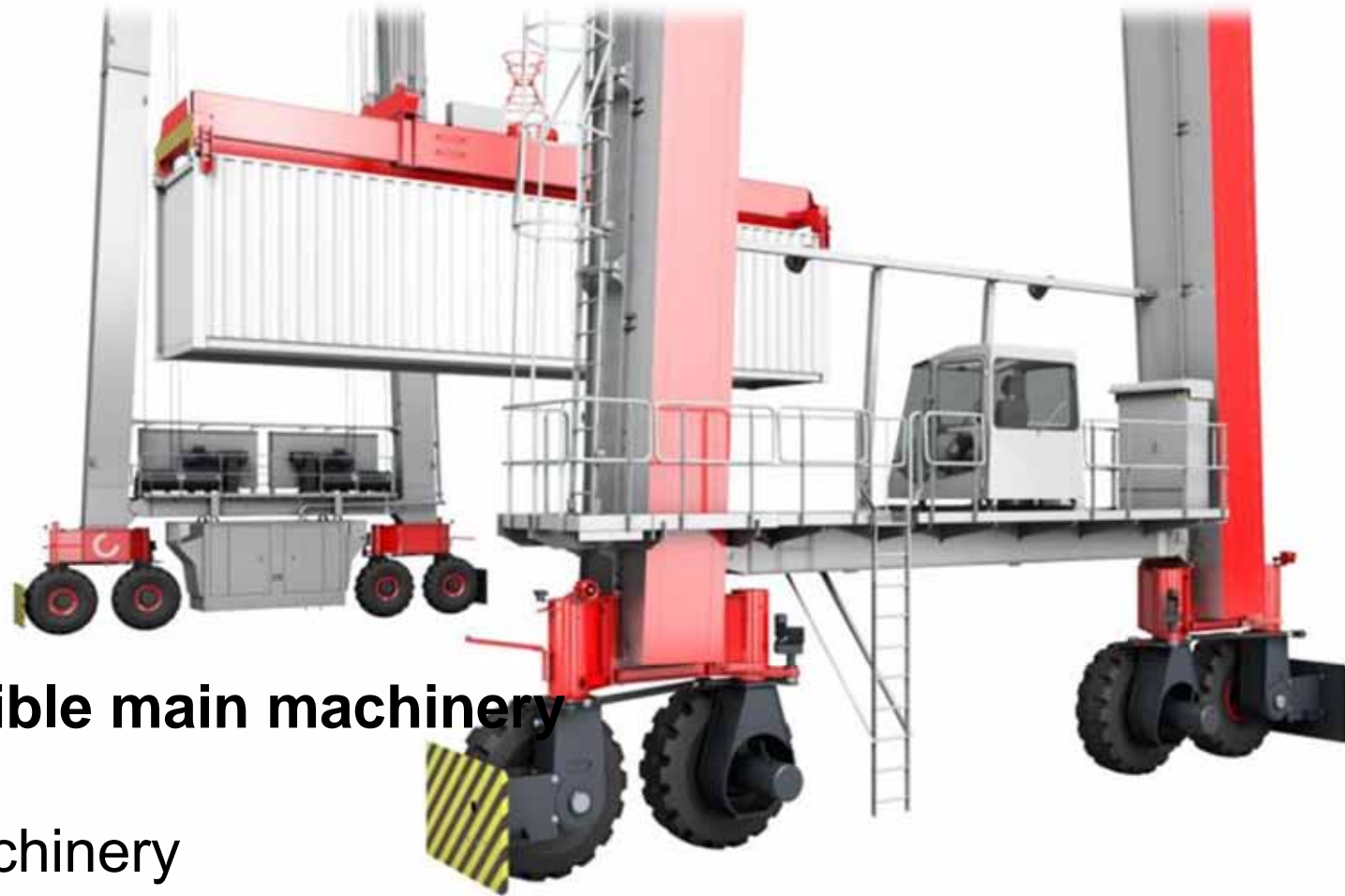


# WE BROUGHT DOWN THE MACHINERY

- Easy service access
- Lighter trolley



# MACHINERY UNITS



## **Easily accessible main machinery units**

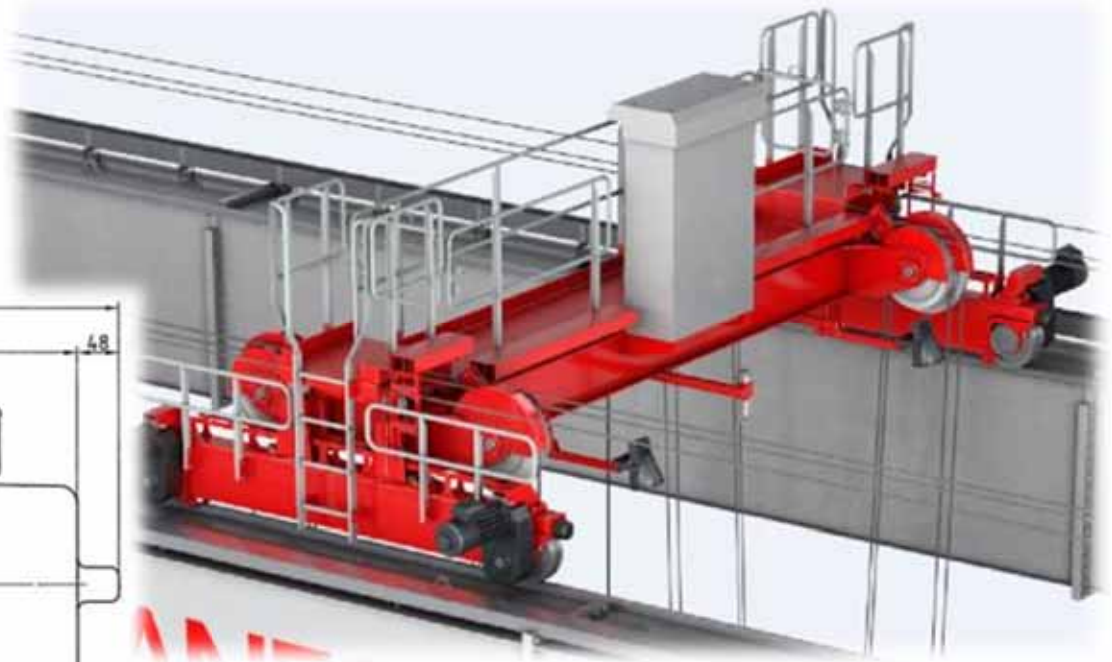
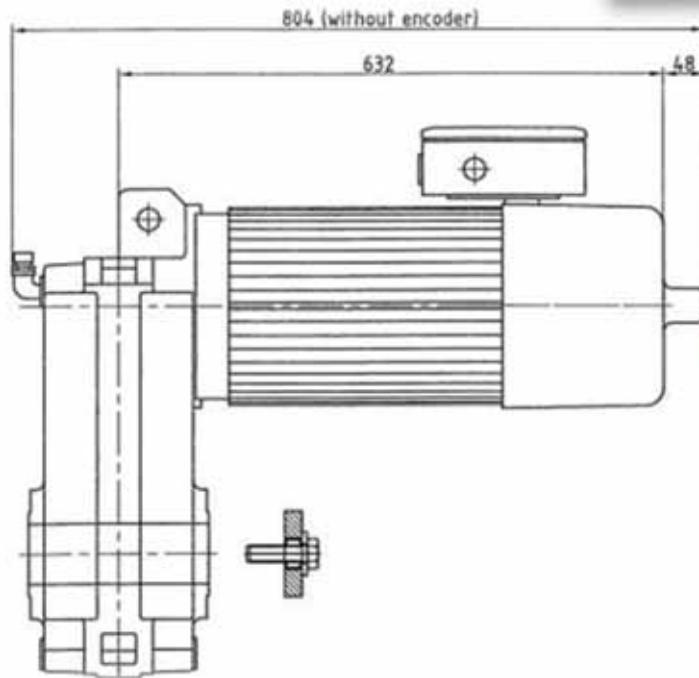
- Hoisting machinery
- Gantry travelling machinery
- Locking pin machinery

# LIGHTER TROLLEY

- Easier maintenance
- Less top-heavy
- Agile drive experience



# MACHINERY UNITS



- **Trolley Traversing**
  - Four wheel driven
  - Standard QM7 tr. gear
  - MF11XM200 motor

# WE BROUGHT UP THE ECO-EFFICIENCY

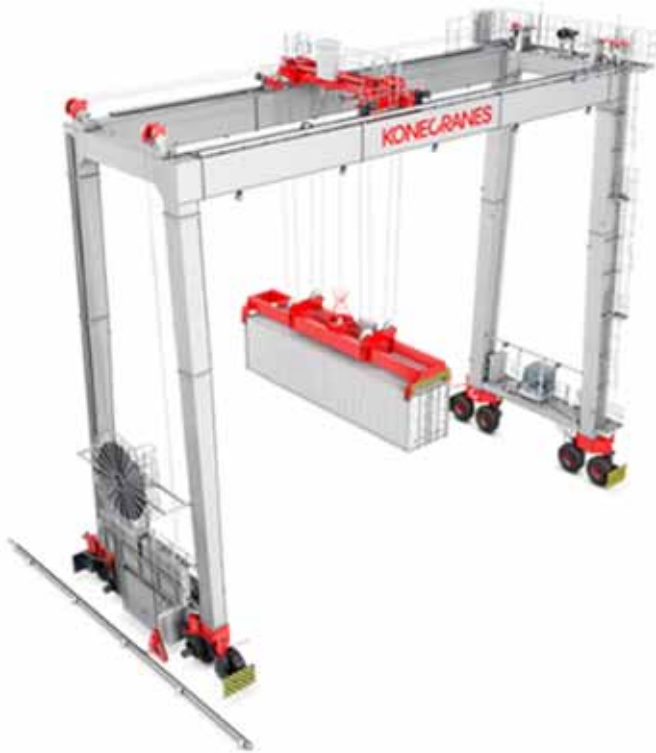
- Another first in RTGs: counterweights
- On average 25% lighter load with every lift





# BOXHUNTER ALSO RUNS WITHOUT DIESEL

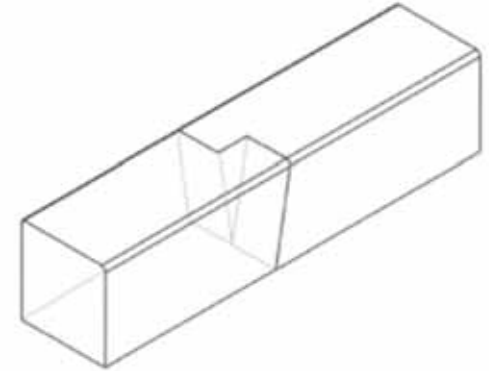
## CABLE REEL



## BUSBAR



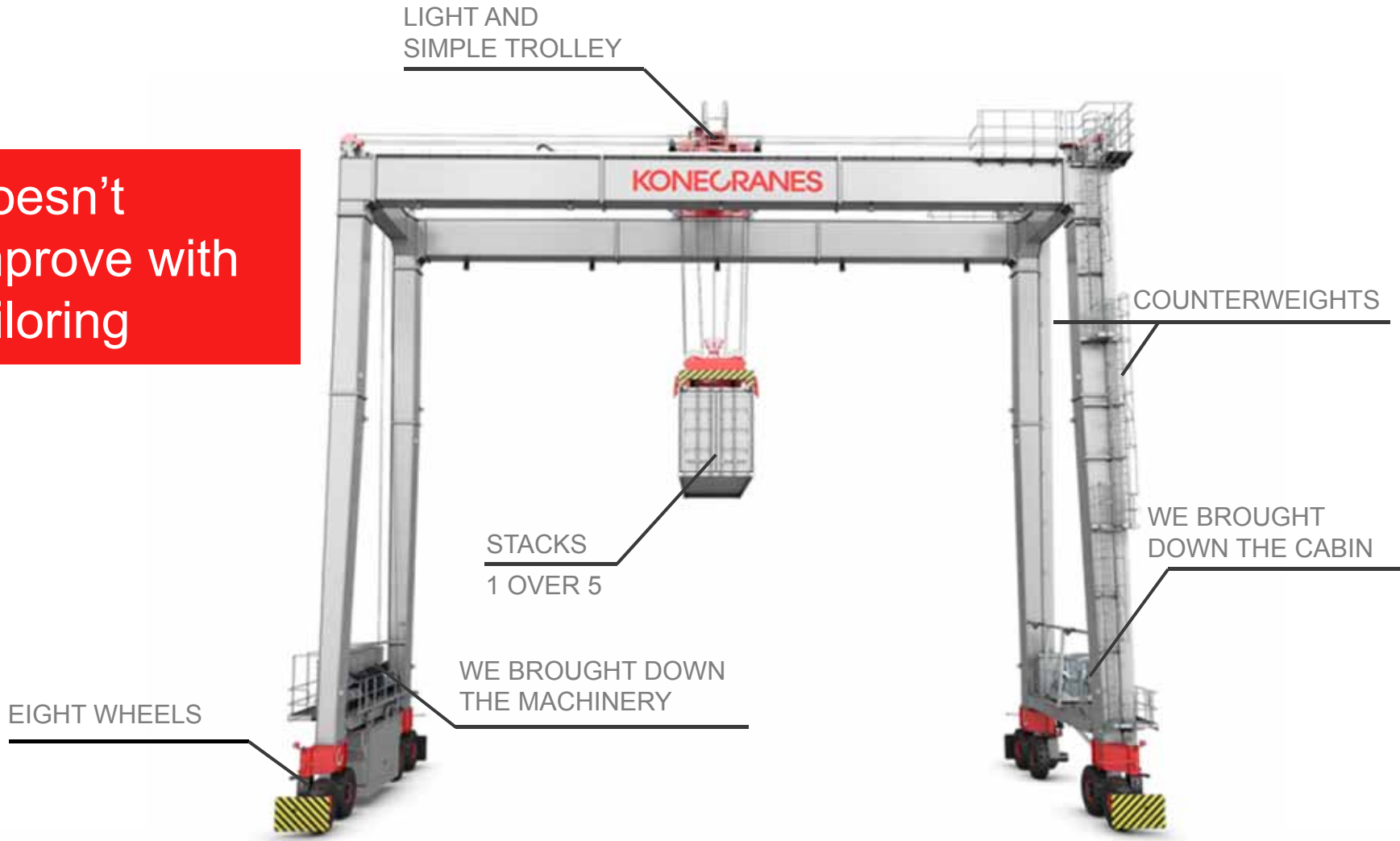
# GANTRY STEEL STRUCTURE



Rail joint on main girder

# BOXHUNTER IS STANDARD

Doesn't improve with tailoring



# BOXHUNTER<sup>®</sup> PARAMETERS

## Standard Dimensions

- Lifting height (1 over 5)
- Span (6 or 7 + truck lane)
- 8 wheels
- Lifting capacity 40,6t

## Total Weight

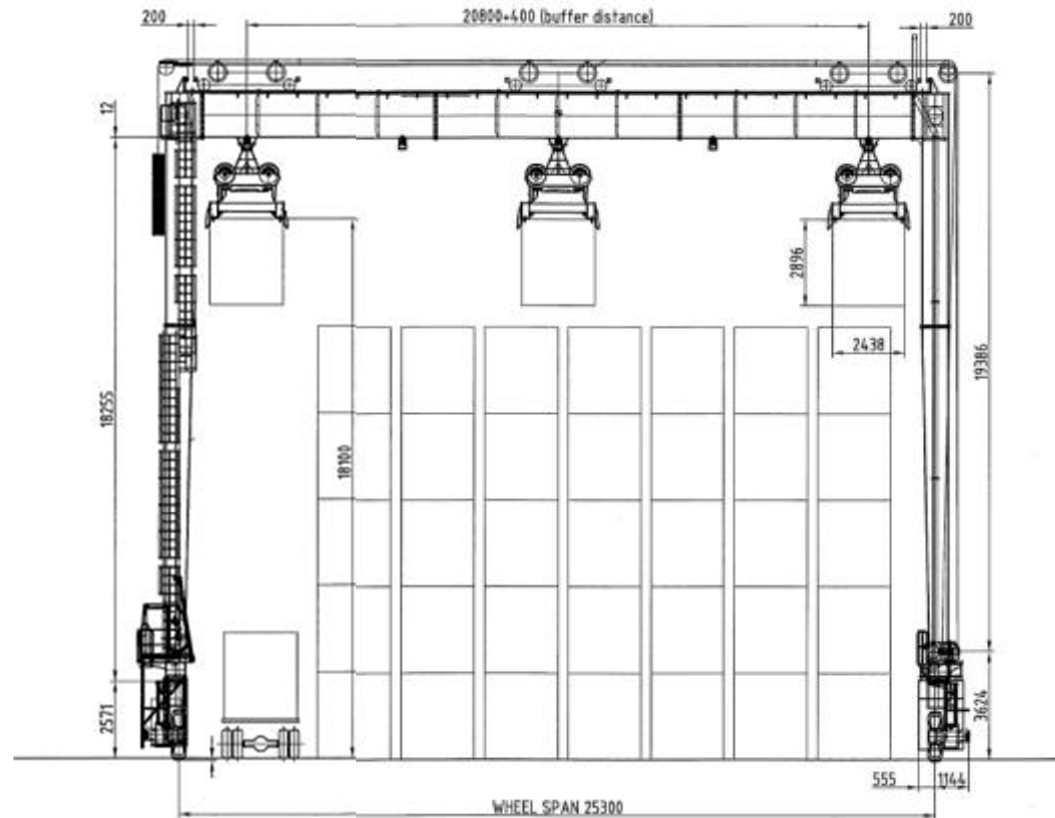
- 120t

## Speeds

- Gantry (135 m/min)
- Hoist (52 m/min) 0t
- Hoist (26 m/min) 35t
- Hoist (23 m/min) 40t
- Trolley (70m/min)

## Main power supply

- Diesel alternator set (diesel preferred)
- Cable reel
- Bus bar



# REGULAR CONTAINER SHIPMENT



# ALMOST OFF-THE-SHELF



**BOXHUNTER IS MODULAR:**  
an entirely new thing in RTG  
design and engineering

# DELIVERED IN BOXES

BOXHUNTER is delivered as a regular container shipment



# SPARE PARTS

Predefined spare part packages available through Konecranes DCs.



# SERVICE AND SPARE PARTS

- Available Service packages
  - Annual inspection
  - Quarterly inspection
  - Preventive maintenance (500h diesel hours)
- Available Spare part packages
  - Basic
  - Standard
  - Premium
- TRUCONNECT



## SERVICE COMES WITH TRUCONNECT®

Makes Konecranes' best technical  
global expertise locally available.

[Home](#)

[Service Requests](#) [Service Plan](#) [Agreements](#) [Assets](#) [Settings](#) [Instructions](#) [Boxhunter Documentation](#)

[Boxhunter Documentation](#) [MyCrane.com](#)

[Home](#) » [Boxhunter Documentation](#)

Demo corp

## PRODUCT INFORMATION

- [Brochure](#)
- [Technical specification](#)
- [Website: \[www.konecranes.com\]\(http://www.konecranes.com\)](#)

## PROJECT DOCUMENTATION

- [General Arrangement drawing](#)
- [Crane configuration](#)
- [Mechanical drawings](#)
- [Electrical drawings](#)

## SERVICE

- [Spare parts catalogue](#)
- [TRUCONNECT monthly report](#)

## MANUALS

- [Operator Manual](#)
- [Maintenance Manual](#)
- [Erection Manual](#)



**SMARTER  
WHERE IT  
MATTERS**



VISIT  
[www.konecranes.com/boxhunter](http://www.konecranes.com/boxhunter)

